

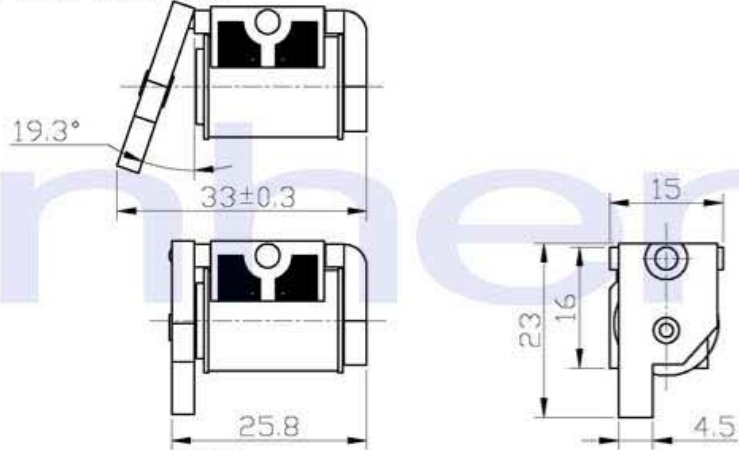
ZHF-1026 Flapper Solenoid

ISO/TS16949 ISO9000 ISO14000
RoHS REACH CE UL VDE TÜV



总重量 Total Weight: 22g
应用范围: 纺织机等
APPLICATION: Textile Machine etc

类型: 拉式 TYPE: PULL



单位:mm Units:mm 通电状态 Shown Energized

1. 标准试验条件 (STANDARD TEST CONDITION)

- 1-1 环境 (AMBIENCE) 周围温度 (AMBIENCE TEMP): $20^{\circ}\text{C} \pm 2^{\circ}\text{C}$
相对湿度 (RELATIVE HUMIDITY): $65 \pm 5\%$
大气压 (ATMOSPHERIC PRESSURE): 1013mbar
- 1-2 试验负载 (LOAD) 负载 (COUNTER WEIGHT)
- 1-3 电源 (POWER) 稳定电源 (电压变动 1mVrms MAX)
<STEADY POWER (RIPPLE VOLTAGE 1mVrms MAX)>

2. 额定参数 (RATED VOLTAGE)

- 2-1 电压 (VOLTAGE): DC40V
2-2 电流 (CURRENT): 0.47A (at DC40V 20°C)
2-3 功率 (WATTAGE): 18.8W
2-4 使用电压范围: DC36V~44V
2-5 直流电阻 (DC RESISTANCE): $85\Omega \pm 5\%$ (周围温度 20°C)
2-6 工作循环 (DUTY CYCLE): ON: 1Sec OFF: 4Sec
2-7 绝缘等级 (INSULATION CLASS): B类 (CLASS B)

3. 电气特性 (ELECTRONICAL CHARACTERISTICS)

3-1 吸引力 (ATTRACTING FORCE)

行程 (STROKE)	DC - 40V (初始值)
0mm	>1100gf
5.5mm	>90gf

- 3-2 残留吸引力 (RESIDUAL MAGNETISM) 在DC-40V下, 小于15gf (垂直方向)
LESS THAN 15gf AFTER DC-40V APPLIED (PERPENDICULAR DIRECTION)
- 3-3 绝缘电阻 (INSULATION RESISTANCE) 线圈和框架间 100MΩ (500VDC 常规温度/湿度)
BETWEEN COIL AND FRAME DC500V NORMAL TEMP/HUMIDITY, 100MΩ MEGGER
- 3-4 耐电压 (DIELECTRIC STRENGTH) 线圈和框架间 AC1000V (50/60Hz) 1Min 或
AC1000V ~ AC1200V (50/60Hz) 1Sec (击穿电流 1mA) BETWEEN COIL AND FRAME
AC1000V (50/60Hz) 1Min OR AC1200V (50/60Hz) 1Sec (1mA)
- 3-5 温升 (TEMPERATURE RISE) 在电压DC-40V下, 温升为 85°C Max
AFTER DC-40V APPLIED BY RESISTANCE METHOD 85 deg MAX
- 3-6 寿命 (LIFE) 典型值为 50万次 (通电1秒, 断电1秒)
REPETITIVE OPERATION FOR 0.5 MILLION CYCLE (ON: 1Sec OFF: 4Sec) at DC40V
- 3-7 工作温度、湿度 (OPERATING TEMP/HUMIDITY) $5^{\circ}\text{C} \sim +40^{\circ}\text{C}$, 5% RH ~ 85% RH